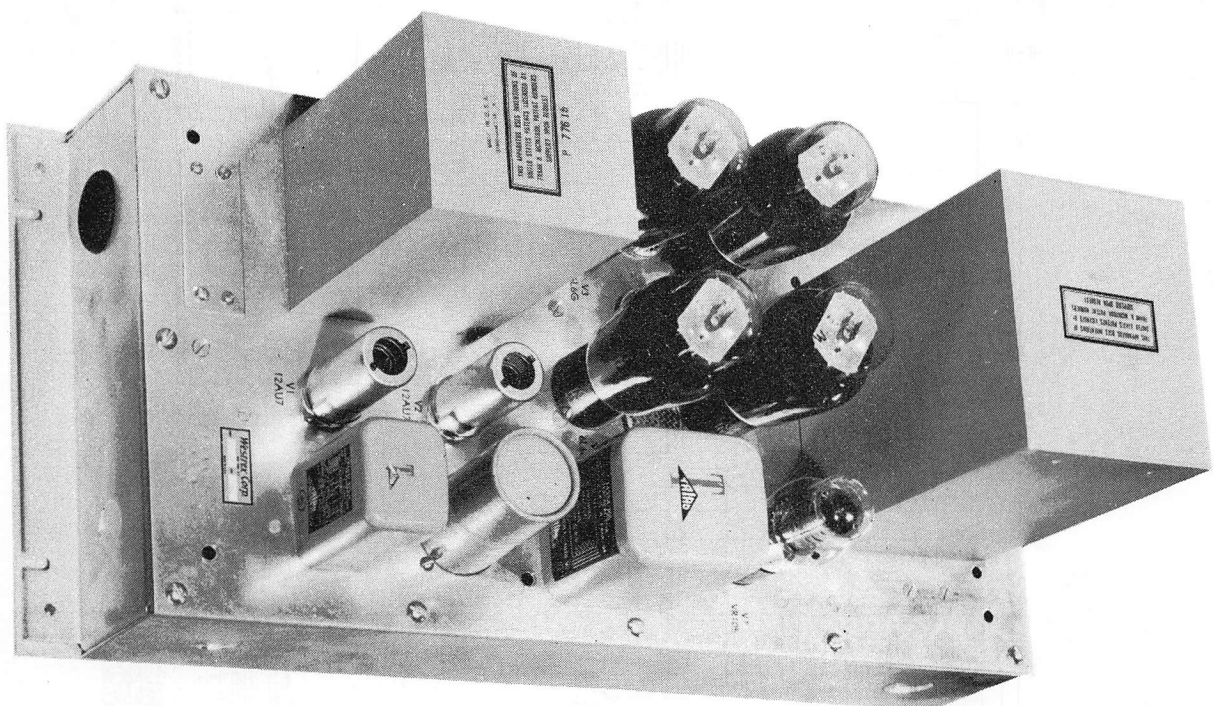
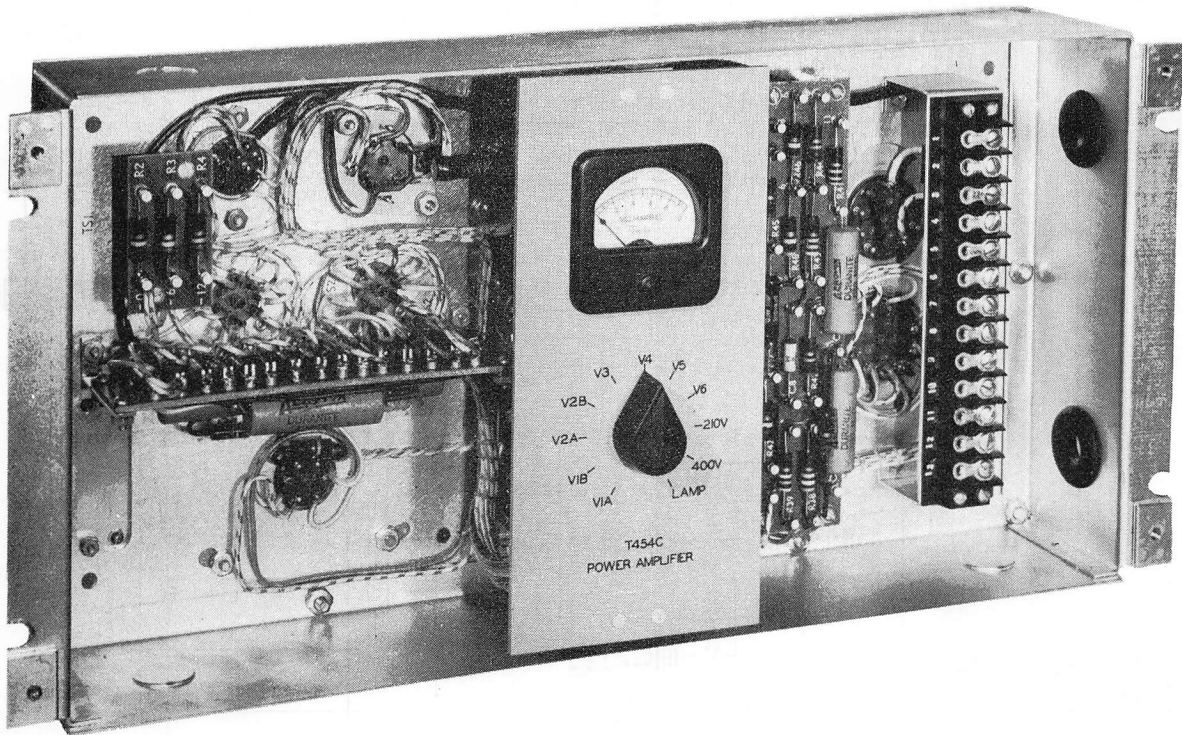




BULLETIN NO. 271

FILE 4.03

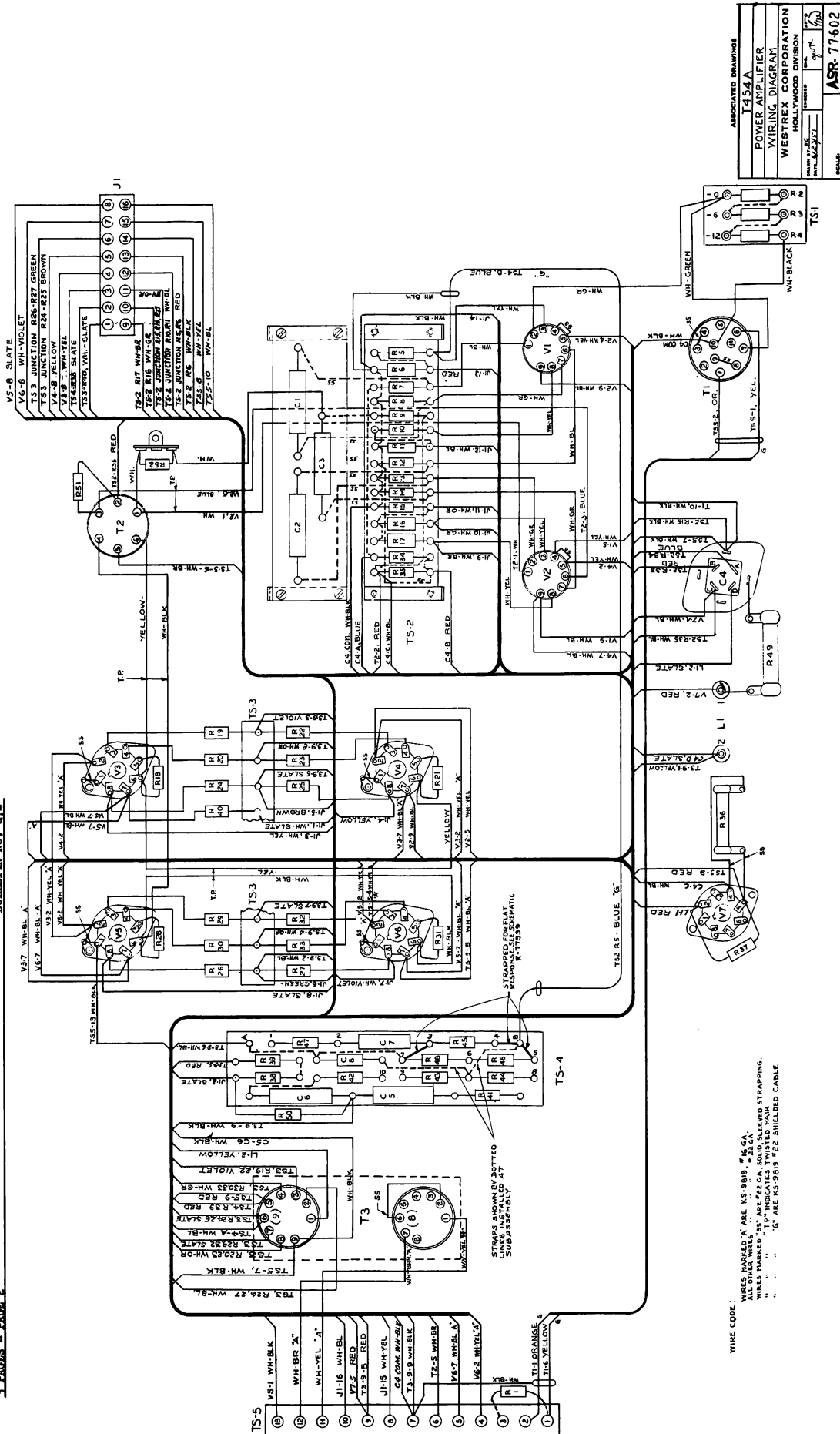
AMPLIFIER
WESTREX T454-TYPE





FILE 4.03
AMPLIFIER
WESTREX 4154-TYPE
DEWS, R-77599, R-77602 & X-2362
3 PAGES - PAGE 2

BULLETIN NO. 871

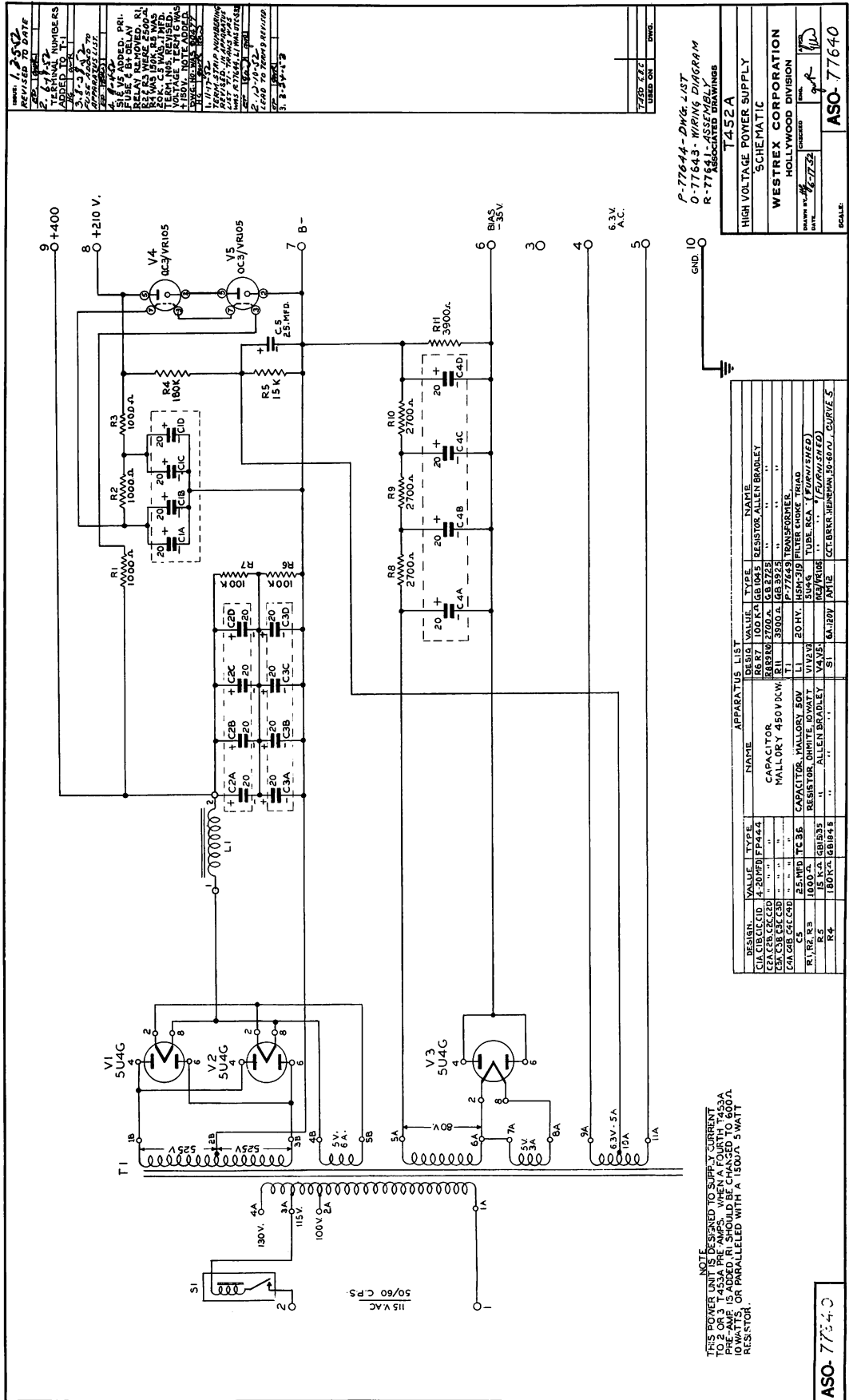


FILE 4,31

POWER SUPPLY
WESTREX T452-TYPE
DRAWG. O-77640 & O-77643
2 PAGES - PAGE 1



BULLETIN NO. 265



REV.	DATE	DESCRIPTION
1	3-23-53	REVISED TO DATE
2	8-1-53	ADDED TO INSTRUCTIONS
3	8-1-53	ADDED TO INSTRUCTIONS
4	8-1-53	ADDED TO INSTRUCTIONS
5	8-1-53	ADDED TO INSTRUCTIONS
6	8-1-53	ADDED TO INSTRUCTIONS
7	8-1-53	ADDED TO INSTRUCTIONS
8	8-1-53	ADDED TO INSTRUCTIONS
9	8-1-53	ADDED TO INSTRUCTIONS
10	8-1-53	ADDED TO INSTRUCTIONS
11	8-1-53	ADDED TO INSTRUCTIONS
12	8-1-53	ADDED TO INSTRUCTIONS
13	8-1-53	ADDED TO INSTRUCTIONS
14	8-1-53	ADDED TO INSTRUCTIONS
15	8-1-53	ADDED TO INSTRUCTIONS
16	8-1-53	ADDED TO INSTRUCTIONS
17	8-1-53	ADDED TO INSTRUCTIONS
18	8-1-53	ADDED TO INSTRUCTIONS
19	8-1-53	ADDED TO INSTRUCTIONS
20	8-1-53	ADDED TO INSTRUCTIONS
21	8-1-53	ADDED TO INSTRUCTIONS
22	8-1-53	ADDED TO INSTRUCTIONS
23	8-1-53	ADDED TO INSTRUCTIONS
24	8-1-53	ADDED TO INSTRUCTIONS
25	8-1-53	ADDED TO INSTRUCTIONS
26	8-1-53	ADDED TO INSTRUCTIONS
27	8-1-53	ADDED TO INSTRUCTIONS
28	8-1-53	ADDED TO INSTRUCTIONS
29	8-1-53	ADDED TO INSTRUCTIONS
30	8-1-53	ADDED TO INSTRUCTIONS
31	8-1-53	ADDED TO INSTRUCTIONS
32	8-1-53	ADDED TO INSTRUCTIONS
33	8-1-53	ADDED TO INSTRUCTIONS
34	8-1-53	ADDED TO INSTRUCTIONS
35	8-1-53	ADDED TO INSTRUCTIONS
36	8-1-53	ADDED TO INSTRUCTIONS
37	8-1-53	ADDED TO INSTRUCTIONS
38	8-1-53	ADDED TO INSTRUCTIONS
39	8-1-53	ADDED TO INSTRUCTIONS
40	8-1-53	ADDED TO INSTRUCTIONS
41	8-1-53	ADDED TO INSTRUCTIONS
42	8-1-53	ADDED TO INSTRUCTIONS
43	8-1-53	ADDED TO INSTRUCTIONS
44	8-1-53	ADDED TO INSTRUCTIONS
45	8-1-53	ADDED TO INSTRUCTIONS
46	8-1-53	ADDED TO INSTRUCTIONS
47	8-1-53	ADDED TO INSTRUCTIONS
48	8-1-53	ADDED TO INSTRUCTIONS
49	8-1-53	ADDED TO INSTRUCTIONS
50	8-1-53	ADDED TO INSTRUCTIONS
51	8-1-53	ADDED TO INSTRUCTIONS
52	8-1-53	ADDED TO INSTRUCTIONS
53	8-1-53	ADDED TO INSTRUCTIONS
54	8-1-53	ADDED TO INSTRUCTIONS
55	8-1-53	ADDED TO INSTRUCTIONS
56	8-1-53	ADDED TO INSTRUCTIONS
57	8-1-53	ADDED TO INSTRUCTIONS
58	8-1-53	ADDED TO INSTRUCTIONS
59	8-1-53	ADDED TO INSTRUCTIONS
60	8-1-53	ADDED TO INSTRUCTIONS
61	8-1-53	ADDED TO INSTRUCTIONS
62	8-1-53	ADDED TO INSTRUCTIONS
63	8-1-53	ADDED TO INSTRUCTIONS
64	8-1-53	ADDED TO INSTRUCTIONS
65	8-1-53	ADDED TO INSTRUCTIONS
66	8-1-53	ADDED TO INSTRUCTIONS
67	8-1-53	ADDED TO INSTRUCTIONS
68	8-1-53	ADDED TO INSTRUCTIONS
69	8-1-53	ADDED TO INSTRUCTIONS
70	8-1-53	ADDED TO INSTRUCTIONS
71	8-1-53	ADDED TO INSTRUCTIONS
72	8-1-53	ADDED TO INSTRUCTIONS
73	8-1-53	ADDED TO INSTRUCTIONS
74	8-1-53	ADDED TO INSTRUCTIONS
75	8-1-53	ADDED TO INSTRUCTIONS
76	8-1-53	ADDED TO INSTRUCTIONS
77	8-1-53	ADDED TO INSTRUCTIONS
78	8-1-53	ADDED TO INSTRUCTIONS
79	8-1-53	ADDED TO INSTRUCTIONS
80	8-1-53	ADDED TO INSTRUCTIONS
81	8-1-53	ADDED TO INSTRUCTIONS
82	8-1-53	ADDED TO INSTRUCTIONS
83	8-1-53	ADDED TO INSTRUCTIONS
84	8-1-53	ADDED TO INSTRUCTIONS
85	8-1-53	ADDED TO INSTRUCTIONS
86	8-1-53	ADDED TO INSTRUCTIONS
87	8-1-53	ADDED TO INSTRUCTIONS
88	8-1-53	ADDED TO INSTRUCTIONS
89	8-1-53	ADDED TO INSTRUCTIONS
90	8-1-53	ADDED TO INSTRUCTIONS
91	8-1-53	ADDED TO INSTRUCTIONS
92	8-1-53	ADDED TO INSTRUCTIONS
93	8-1-53	ADDED TO INSTRUCTIONS
94	8-1-53	ADDED TO INSTRUCTIONS
95	8-1-53	ADDED TO INSTRUCTIONS
96	8-1-53	ADDED TO INSTRUCTIONS
97	8-1-53	ADDED TO INSTRUCTIONS
98	8-1-53	ADDED TO INSTRUCTIONS
99	8-1-53	ADDED TO INSTRUCTIONS
100	8-1-53	ADDED TO INSTRUCTIONS

P-77644-DWG LIST
O-77643-WIRING DIAGRAM
R-77641-ASSEMBLY
ASSOCIATED DRAWINGS

T452 A
SCHEMATIC

WESTREX CORPORATION
HOLLYWOOD DIVISION

SCALE: ASO-77640

RESISTOR	VALUE	TYPICAL TYPE	NAME	APPARATUS LIST	DEVID	VALUE	TYPICAL TYPE	NAME
R1	1000 Ω	GF100	RESISTOR ALLEN BRADLEY	ASO-77640	1000 Ω	GF100	RESISTOR ALLEN BRADLEY	
R2	1000 Ω	GF100	RESISTOR ALLEN BRADLEY	ASO-77640	1000 Ω	GF100	RESISTOR ALLEN BRADLEY	
R3	1000 Ω	GF100	RESISTOR ALLEN BRADLEY	ASO-77640	1000 Ω	GF100	RESISTOR ALLEN BRADLEY	
R4	180 Ω	GF100	RESISTOR ALLEN BRADLEY	ASO-77640	180 Ω	GF100	RESISTOR ALLEN BRADLEY	
R5	15 Ω	GF100	RESISTOR ALLEN BRADLEY	ASO-77640	15 Ω	GF100	RESISTOR ALLEN BRADLEY	
R6	2700 Ω	GF100	RESISTOR ALLEN BRADLEY	ASO-77640	2700 Ω	GF100	RESISTOR ALLEN BRADLEY	
R7	2700 Ω	GF100	RESISTOR ALLEN BRADLEY	ASO-77640	2700 Ω	GF100	RESISTOR ALLEN BRADLEY	
R8	2700 Ω	GF100	RESISTOR ALLEN BRADLEY	ASO-77640	2700 Ω	GF100	RESISTOR ALLEN BRADLEY	
R9	2700 Ω	GF100	RESISTOR ALLEN BRADLEY	ASO-77640	2700 Ω	GF100	RESISTOR ALLEN BRADLEY	
R10	2700 Ω	GF100	RESISTOR ALLEN BRADLEY	ASO-77640	2700 Ω	GF100	RESISTOR ALLEN BRADLEY	
R11	3900 Ω	GF100	RESISTOR ALLEN BRADLEY	ASO-77640	3900 Ω	GF100	RESISTOR ALLEN BRADLEY	

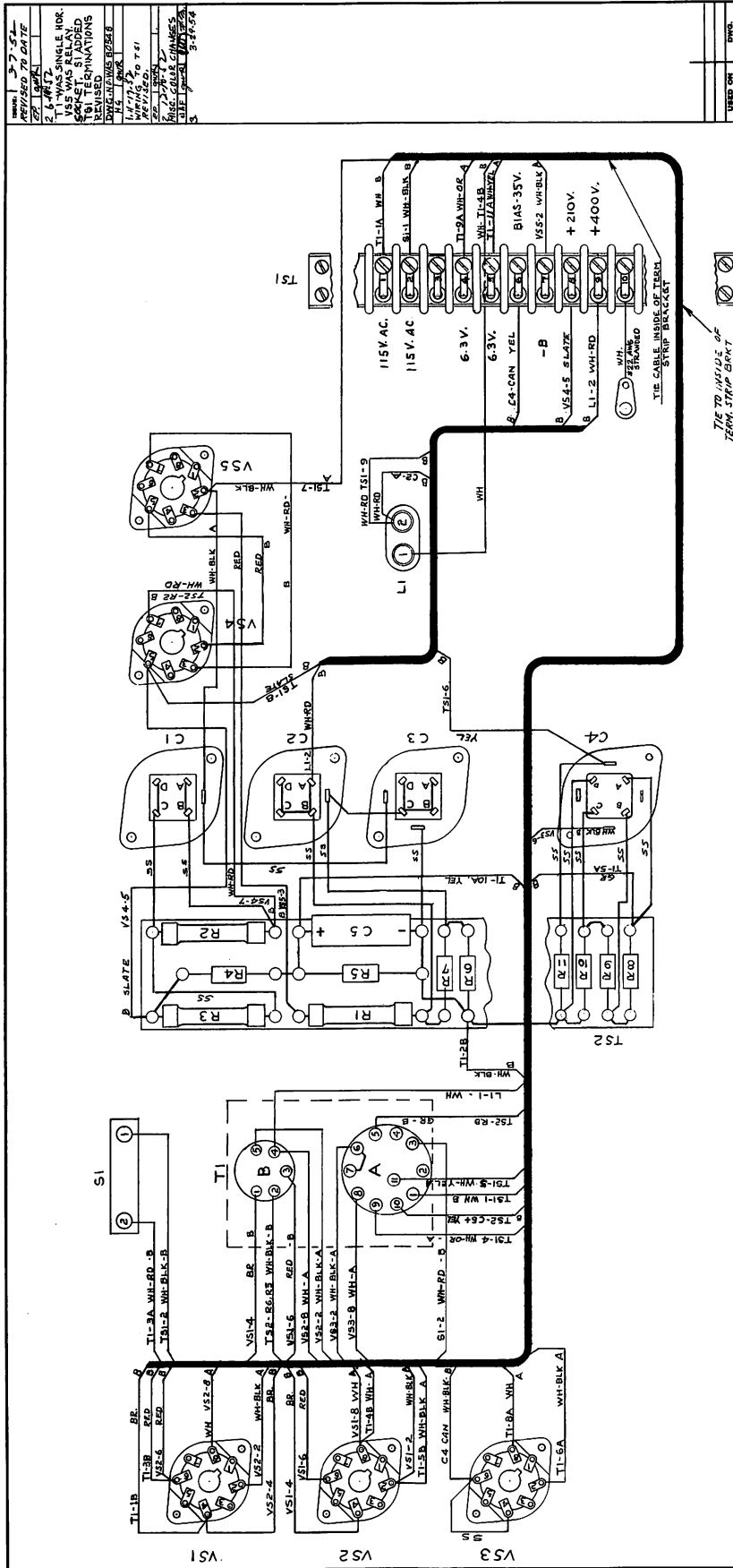
NOTE: THIS POWER UNIT IS DESIGNED TO SUPPLY CURRENT TO 2 OR 3 T453A PRE-AMPS. WHEN A FOURTH T453A PRE-AMP IS ADDED, R1 SHOULD BE CHANGED TO 600 Ω RESISTOR.

ASO-77640



FILE 4, 31
 WESTREX T-452-TYPE
 TRWAS, O-77640 & O-77643
 2 PAGES - PAGE 2

BULLETIN NO. 265



P-7764H DRAWING LIST
 O-77640 SCHEMATIC
 R-77641 ASSEMBLY
 ASSOCIATED DRAWINGS
 T-452A

HIGH VOLTAGE POWER SUPPLY
 WIRING DIAGRAM
 WESTREX CORPORATION
 HOLLYWOOD DIVISION
 DRAWN BY: [Signature]
 DATE: 3-2-55

SCALE: ASO-77643

NOTE:
 1 WIRES MARKED "A" ARE #14 AWG STRANDED #493
 2 WIRES MARKED "B" ARE #22 AWG STRANDED #190
 3 WIRES MARKED "SS" ARE SLEEVED #22 GA. SOLID WIRE

ASO-77643