

NO	1-54
AMPLIFIER	
120A	
1-4-40	

**GENERAL**

A 2-STAGE, LOW-LEVEL AMPLIFIER INTENDED FOR USE AS A PRE-MIXING OR BOOSTER AMPLIFIER IN SOUND SYSTEMS OR SPEECH INPUT EQUIPMENTS. THE APPARATUS IS MOUNTED ON BOTH SIDERS OF A FLANGED PANEL WHICH MAY BE FASTENED TO A RELAY RACK MOUNTING PLATE.

**ELECTRICAL CHARACTERISTICS**

GAIN..... APPROXIMATELY 40 DB.  
 OPERATES FROM..... 30, 250 OR 600 OHMS.  
 INTERNAL INPUT IMPEDANCE.. OPEN CIRCUIT.  
 OPERATES INTO..... 600 OHM LOAD.  
 INTERNAL OUTPUT IMPEDANCE. APPROX. 600 OHMS.  
 OUTPUT POWER..... APPROX. .038 WATT (+16 DB)\*  
 WITH 1% TOTAL HARMONIC DISTORTION.  
 OUTPUT NOISE..... -82 DB UNWEIGHTED\*  
 -87 DB WEIGHTED\*  
 \*(REF. = .001 WATT)  
 FREQUENCY CHARACTERISTIC.. SEE CURVE.  
 POWER SUPPLY..... FILAMENT - 6.3 V., 1 AMP.  
 PLATE - 275 V., 7 M.A.  
 (FILAMENT AND PLATE SUPPLY MAY BE OBTAINED FROM 18A RECTIFIER).

VACUUM TUBES (MUST BE ORDERED SEPARATELY)

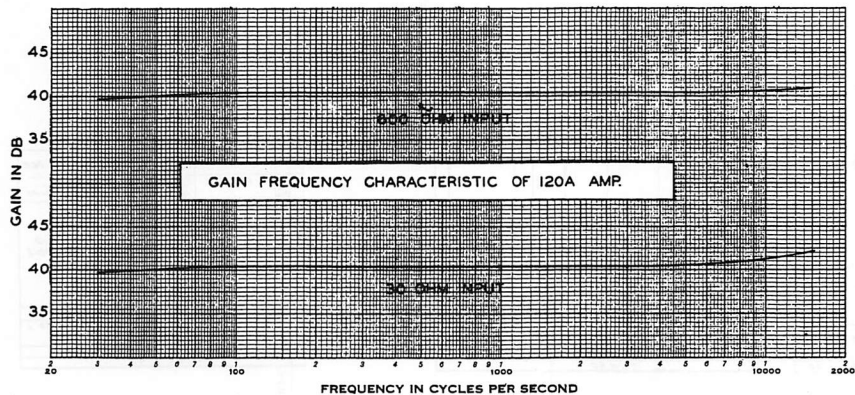
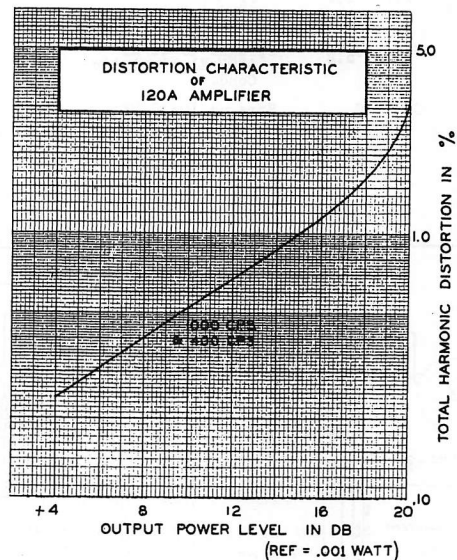
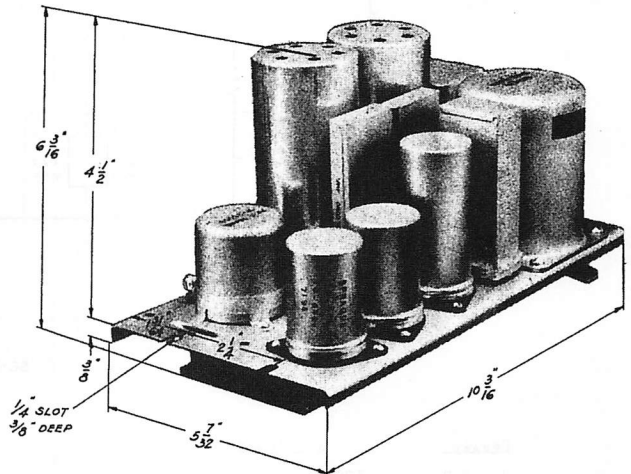
1 - W. E. 347A AND 1 - W. E. 348A VACUUM TUBES OR 2 - TYPE 6J7G VACUUM TUBES

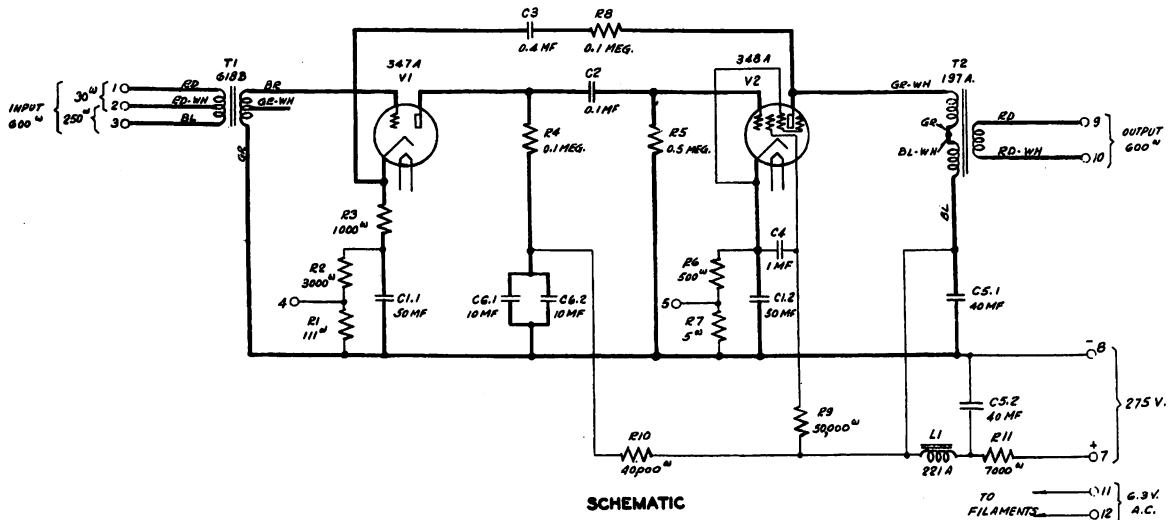
**EQUIPMENT CHARACTERISTICS**

PANEL SIZE..... APPROX. 5-1/4" X 10-1/4". THE APPARATUS EXTENDS APPROX. 4-1/2" FROM THE FRONT AND 2" FROM THE REAR OF THE PANEL.  
 WEIGHT..... APPROX. 6-1/2 LBS.  
 MOUNTING..... DESIGNED FOR MOUNTING ON A 177A MOUNTING PLATE. FLEXIBLE RUBBER MOUNTINGS ARE FURNISHED. THREE 120A AMPLIFIERS MAY BE MOUNTED ON ONE PLATE, REQUIRING 10-15/32" OF RELAY RACK SPACE.  
 FINISH..... BRIGHT ALUMINUM LACQUER ON ZINC-PLATED STEEL.

REFERENCES

ESO-675286.....ASSEMBLY AND STOCK LIST  
 ESO-675287.....SCHEMATIC DIAGRAM  
 ESO-675288.....WIRING DIAGRAM  
 ESA-675665.....TESTING INFORMATION

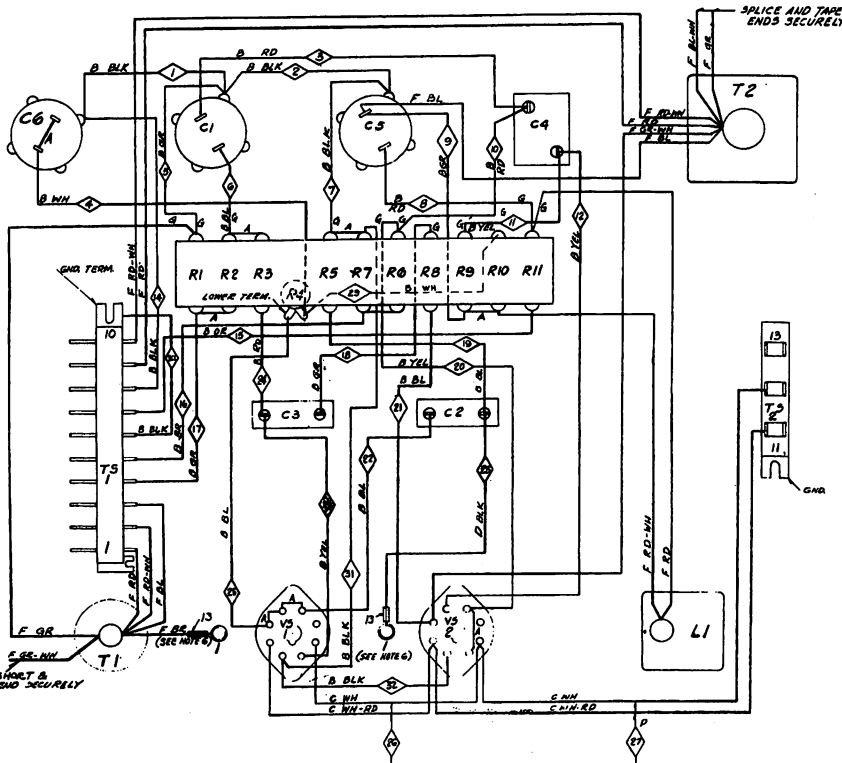




SCHEMATIC

Desig.	Apparatus
R <sub>1</sub> to R <sub>11</sub> excepting R <sub>3</sub>	IRC Type BT 1 Watt Resistors
R <sub>3</sub>	IRC Type WWS 100,000 <sup>Ω</sup> Resistor
C <sub>1.1</sub> , C <sub>1.2</sub>	Sprague 50-50 MF - 150V Electrolytic Cond.
C <sub>5.1</sub> , C <sub>5.2</sub>	Sprague 40-40 MF - 450V Electrolytic Cond.
C <sub>6.1</sub> , C <sub>6.2</sub>	Sprague 10-10 MF - 450V Electrolytic Cond.
C <sub>2</sub>	234C Condenser
C <sub>3</sub>	230A Condenser

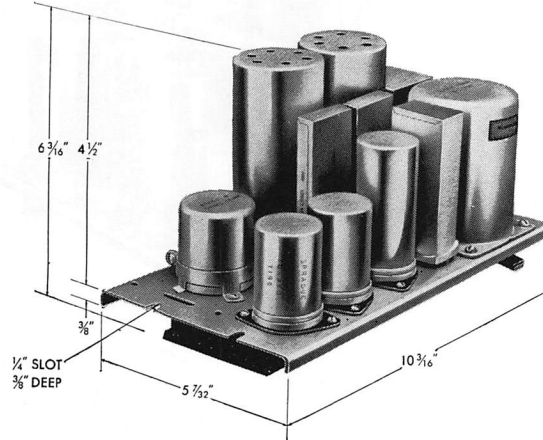
Desig.	Apparatus
C <sub>4</sub>	229C Condenser
T <sub>1</sub>	618B Input Transformer
T <sub>2</sub>	197A Output Transformer
L <sub>1</sub>	221A Retard Coil
TS <sub>1</sub>	P-250833 Terminal Strip
TS <sub>2</sub>	Terminal Strip per ESO-675407-3 & 8
VS <sub>1</sub> , VS <sub>2</sub>	Eby Mfg. Co. #39-1-2 VT Socket
V <sub>1</sub>	347A Vacuum Tube
V <sub>2</sub>	348A Vacuum Tube
1	Type 80 Vacuum Tube



WIRING DIAGRAM

- NOTES-
- WIRES MARKED 'A' ARE PER ITEM 3
  - " 'B' " " " " 4
  - " 'C' " " " " 14
  - " 'F' " FURNISHED WITH APPARATUS
  - " 'D' " INDICATE TWISTED PAIRS.
- NUMBERS ARE FOR REFERENCE AND MAY BE USED TO INDICATE SHOD SAMPLES.
- SOLDER GRID CLIPS TO THE LEAD WIRES INDICATED AFTER SOLDERING HAS BEEN COMPLETED. UNFINISHED CHANNEL TUBING IN THE PANEL SHALL BE APPROX. 3/8 INCHES OF WIRE ABOVE PANEL TO GROUND. CONNECTION BETWEEN GRID CAP AND LEAD SHALL BE PROTECTED BY ITEM 12.
  - WIRES MARKED 'D' ARE PER ITEM 12.
  - " 'G' " TO BE LONG ENOUGH TO PERMIT TIPPING THE RESISTANCE STEP 90°.

ITEM	QTY	DESCRIPTION
1	14	1/2" DIA. SOLID TUBING 1/4" DIA. PER
2	10	1/8" DIA. 1/2" L. RUBBER TUBING
3	12	1/2" DIA. 1/4" L. RUBBER TUBING
4	10	1/2" DIA. 1/4" L. RUBBER TUBING
5	10	1/2" DIA. 1/4" L. RUBBER TUBING
6	10	1/2" DIA. 1/4" L. RUBBER TUBING
7	10	1/2" DIA. 1/4" L. RUBBER TUBING
8	10	1/2" DIA. 1/4" L. RUBBER TUBING
9	10	1/2" DIA. 1/4" L. RUBBER TUBING
10	10	1/2" DIA. 1/4" L. RUBBER TUBING
11	10	1/2" DIA. 1/4" L. RUBBER TUBING
12	10	1/2" DIA. 1/4" L. RUBBER TUBING
13	10	1/2" DIA. 1/4" L. RUBBER TUBING
14	10	1/2" DIA. 1/4" L. RUBBER TUBING



120B Preliminary Amplifier.

The 120B Preliminary Amplifier is designed for use in sound distribution systems and speech input equipments. It is a compact, high quality two stage pre-mixing or booster amplifier.

**Typical Specifications**

**Frequency Response:**  $\pm 1$  db 50 to 15,000 cycles,  $\pm 0.5$  db 50 to 10,000 cycles.

**Output Noise:**  $-82$  dbm.

**Source Impedance:** 30, 250 or 600 ohms.

**Load Impedance:** 600 ohms.

**Gain:** 41 db.

**Single Frequency Output Power for less than 1% Total Harmonics:** + 16 dbm at a fundamental frequency of 400 cycles. + 13 dbm at a fundamental frequency of 50 cycles.

**Power Required:** Filaments, 6.3 volts a-c or d-c, 0.8 ampere; plates, 275 volts d-c, 7 milliamperes.

Power is normally obtained from Western Electric 18 or 20 type Rectifiers which are capable of supplying a number of 120B Amplifiers.

Power for one 120B Amplifier may be obtained from the Western Electric 118A, or 124 type Amplifiers by the use of a simple power supply circuit consisting of two resistances.

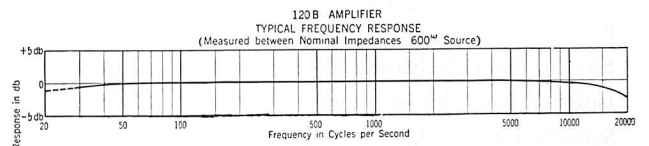
VACUUM TUBES

Quantity Required	Western Electric	or	Commercial Receiver Type
1	348A		6J7 or 1620
1			1603 or 6J7
2			or 1620

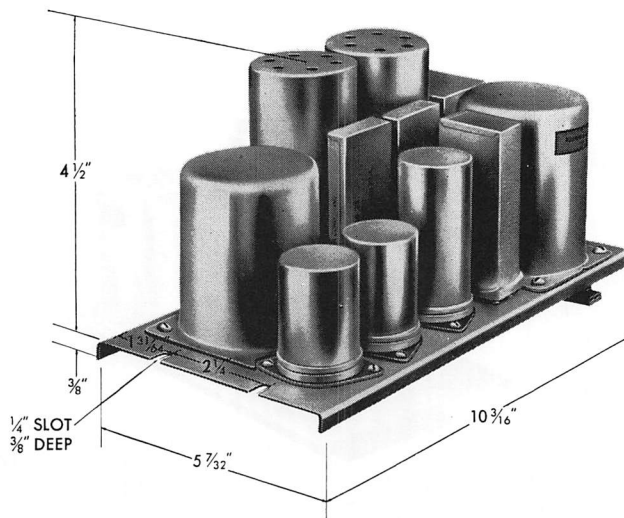
**Mounting:** New type of basic amplifier unit designed for mounting in desks or other structures and also adaptable for relay rack or bay cabinet mounting through the use of 190 type or 206A Mounting Plates. For panels, see page 95, Components and Accessories. Isolation both electrically and mechanically from the mounting plate is accomplished by using rubber supports furnished with the amplifier.

**Weight:** Approximately 6 1/2 pounds.

**Finish:** Baked aluminum lacquer on zinc plated steel.



Frequency Response Curve 120B Amplifier.



120C Preliminary Amplifier.

**Use** — Designed to fulfill requirements as a pre-mixing or booster amplifier and for use in “no gain” bridging isolation amplifier circuits.

**Description** — It is a compact two stage 44 db fixed gain amplifier unit having excellent frequency response and low distortion. It has a balanced input transformer with electrostatic and electromagnetic shields. Resistors in cathode circuits are provided to permit checking the tubes through the use of the KS-10003 type Meter or equivalent.

**Features**

- Compact, two stage fixed gain amplifier.
- Pre-mixing or booster application.
- Ready checking of plate circuits.
- Ease of mounting.
- Electrical and mechanical isolation.
- Isolation amplifier by use of input pad.
- Stabilized feedback.

**Typical Specifications**

**Frequency Response:** ±1 db 50 to 15,000 cycles. Curve same as for 120B, see figure 8.

**Output Noise:** —79 dbm.

**Source Impedance:** 30 or 250 ohms matching. For bridging add proper input pad.

**Load Impedance:** 600 ohms.

**Gain:** 44 db.

**Output Power:** Single frequency output power for less than 1 per cent total harmonics: +16 dbm (38 milliwatts) at fundamental frequency of 400 cycles; +13 dbm (20 milliwatts) at fundamental frequency of 50 cycles.

**Power Required:** Filaments, 6.3 volts, 0.8 ampere a-c or d-c; plates, 275 volts d-c, 7ma. Power is normally obtained from Western Electric 18 or 20 type Rectifiers which are capable of supplying a number of 120C Amplifiers. Power for one 120C Amplifier may be obtained from the Western Electric 124 type Amplifier by the use of a simple supplementary power supply circuit consisting of two resistances.

VACUUM TUBES

Quantity Required	Western Electric	Commercial Receiver Type
1	348A or	1620 (or 6J7)
1		1603
—		
2		

**Mounting:** Advanced type of basic amplifier unit designed for mounting in desks or other structures and also adaptable for relay rack or bay cabinet mounting through the use of 190 type or 206A Mounting Plates. For panels, see page 95, Components and Accessories. Isolation both electrically and mechanically from the mounting plate is accomplished by using rubber supports furnished with the amplifier.

**Weight:** 6½ pounds.

**Finish:** Light gray.